

## HOOK ON SUSPENDED CEILING

Hook On Suspended Metal Ceiling System is a metal ceiling panels connected to hidden J and L suspension system with different size and thickness

Hook On Suspended Metal Ceiling :

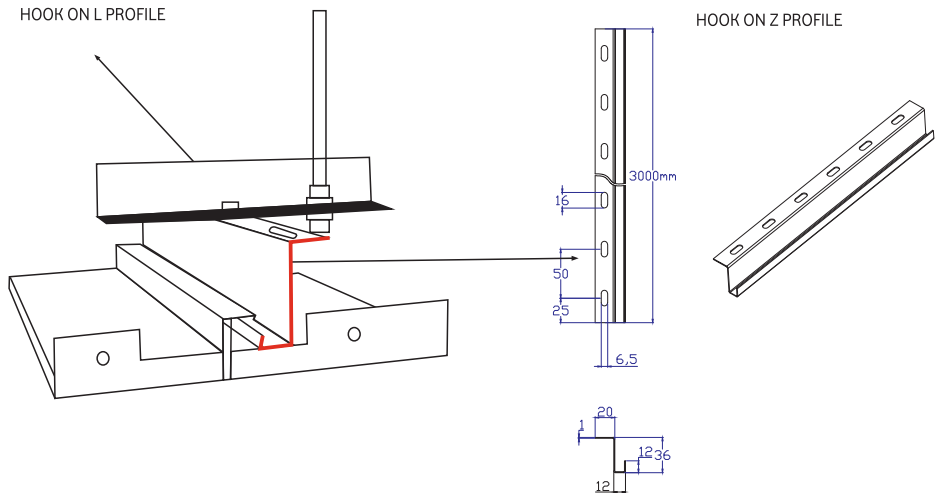
Carrier system is hidden and attached to J – L main carrier.

Easy Interfering to system by it's easy installation and dismantling form.

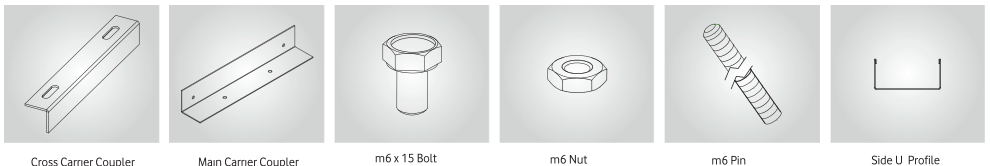
Lower waste of material by using different dimensions of perforated and mesh panels together.

Any RAL colours available besides standard colours.

Natural view with connection point design.



### HOOK-ON ACCESSORIES



Cross Carrier Coupler

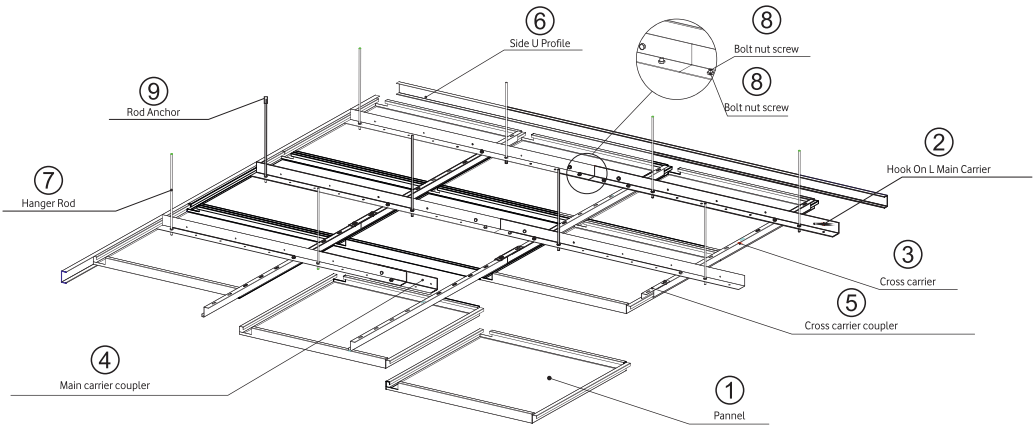
Main Carrier Coupler

m6 x 15 Bolt

m6 Nut

m6 Pin

Side U Profile



## Hook-On System Carrier and Accessories unit / m<sup>2</sup> Analyse

PRODUCT	600x600 mm	600x1200 mm	300x1200 mm	300x600 mm
1- Pannel	1,00 m <sup>2</sup>	1,00 m <sup>2</sup>	1,00 m <sup>2</sup>	1,00 m <sup>2</sup>
2- Main Carrier	0,83 m	0,83 m	0,83 m	0,83 m
3- Hook On Z Profile	1,67 m	0,83 m	0,83 m	1,67 m
4- Main carrier coupler	0,20 ad.	0,20 ad.	0,20 ad.	0,20 ad.
5- Hook On Z Profile Carrier Coupler	0,40 ad.	0,20 ad.	0,20 ad.	0,40 ad.
6- Side U Profile	0,50 m	0,50 m	0,50 m	0,50 m
7- Hanger Pin	1,00 ad.	1,00 ad.	1,00 ad.	1,00 ad.
8- Bolt nut screw	4,00 ad.	2,50 ad.	2,50 ad.	4,00 ad.
9- Pin Anchor	1,00 ad.	1,00 ad.	1,00 ad.	1,00 ad.

\*THIS ANALYSES ARE PREPARED FOR REQUIREMENTS FOR 60x60 cm 66 m<sup>2</sup>